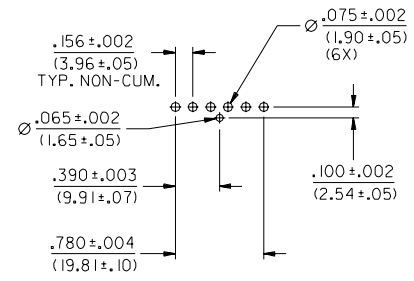
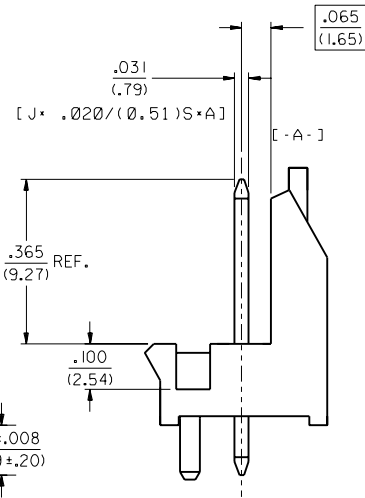
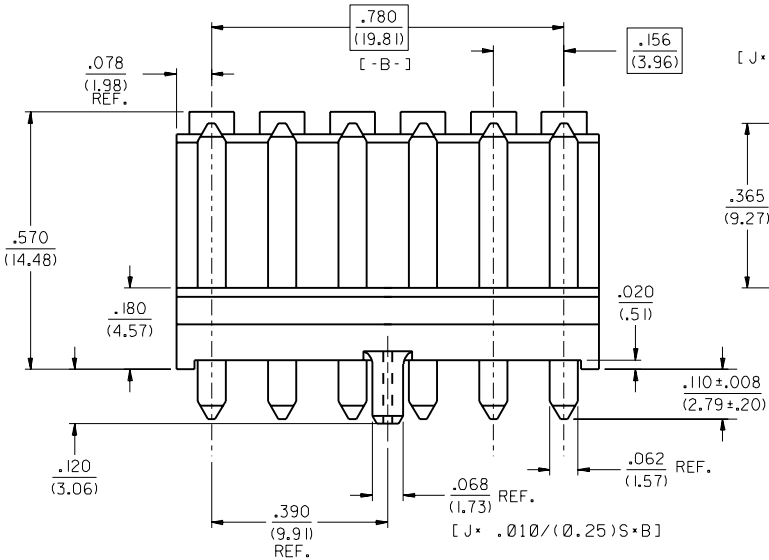
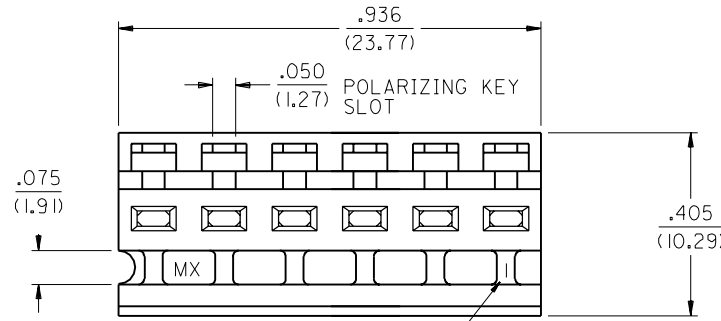


NOTES.

- AXIAL PIN PUSHOUT FORCE 2 LBS./ (0.91 KG) MIN..
- MATERIALS:
 WAFER-POL YESTER, 15% G.F., 94V-0, COLOR: BLACK.
 PIN-BRASS, ALLOY 260.
 PLATING-POST ELECTRO-PLATE .0002 IN./ (.00000508 m) MIN.
 TIN OVER .0001 IN./ (.0000254 m) MIN. COPPER
 (PER E.S. 88, CODE 102)
- P.S. 90331 APPLIES.



RECOMENDED
P.C.B. LAYOUT
SCALE 1:1

E	TRANSFER TO INDIA PER UDT 1999-0929 SCHAFFER 99/04/30
D	REDRAWN PER ECR#U30800 MJS 5-27-93
MFG. SH. REV. LTR.	REVISIONS

DIMENSIONS SHOWN (METRIC) INCH		<input type="checkbox"/> = 0 <input checked="" type="checkbox"/> = 0 REVISIONS ONLY ON CAD SYSTEM													
UNLESS OTHERWISE SPECIFIED TOLERANCES: ANGULAR ± 1/2°		TITLE													
<table border="1"> <thead> <tr> <th></th> <th>INCH</th> <th>METRIC</th> </tr> </thead> <tbody> <tr> <td>3 PLACE</td> <td>± .010</td> <td>---</td> </tr> <tr> <td>2 PLACE</td> <td>± .014</td> <td>± 0.25</td> </tr> <tr> <td>1 PLACE</td> <td>---</td> <td>± 0.35</td> </tr> </tbody> </table>			INCH	METRIC	3 PLACE	± .010	---	2 PLACE	± .014	± 0.25	1 PLACE	---	± 0.35	SALES ASSEMBLY HEADER, SINGLE ROW 6 POS. .156/(3.96) @	
	INCH	METRIC													
3 PLACE	± .010	---													
2 PLACE	± .014	± 0.25													
1 PLACE	---	± 0.35													
DRAFT WHERE APPLICABLE MUST REMAIN WITHIN DIMENSIONS		MOLEX INCORPORATED SHEET NO. 1 DATE 04/30/85 LISLE, ILL. 60532 U.S.A.													
DRWG. BY JTT CHK'D. BY JTT APP'D. BY SCALE 4 : 1		PART NO. 15-48-0106 DRWG. NO. SDA-8619-0600													
FILE NAME S86190600.DGN		THIS DRAWING CONTAINS INFORMATION THAT IS PROPRIETARY TO MOLEX INC. AND SHOULD NOT BE USED WITHOUT WRITTEN PERMISSION.													
		DIV. DA	SIZE B												